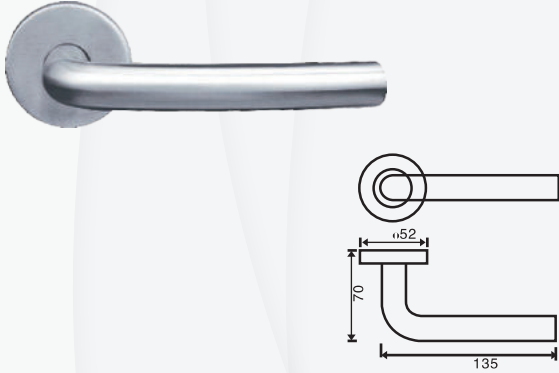


LEVER HANDLE 1500 SERIES

ETM156001

HOLLOW STAINLESS STEEL LEVER ON ROSETTE

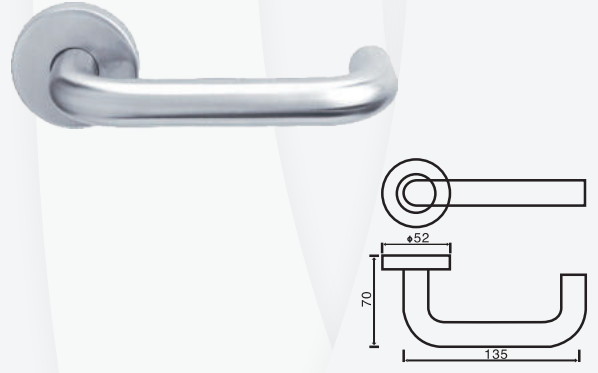
Material Stainless Steel
Finishes SSS



ETM156003

HOLLOW STAINLESS STEEL LEVER ON ROSETTE

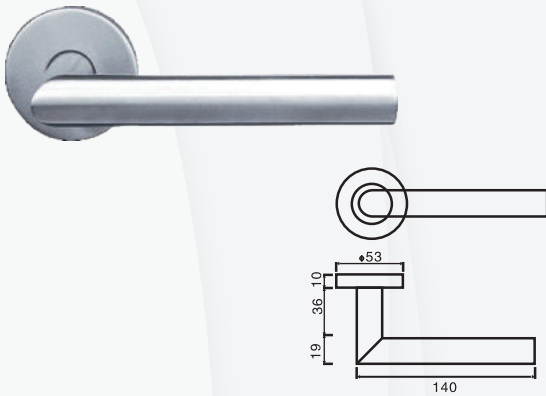
Material Stainless Steel
Finishes SSS



ETM156305

HOLLOW STAINLESS STEEL LEVER ON ROSETTE

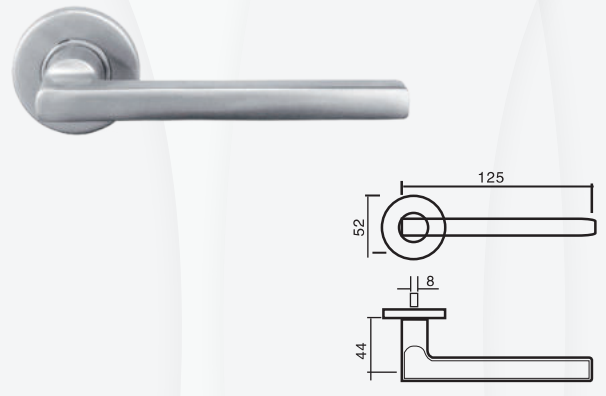
Material Stainless Steel
Finishes SSS



ETM156330H

HOLLOW STAINLESS STEEL LEVER ON ROSETTE

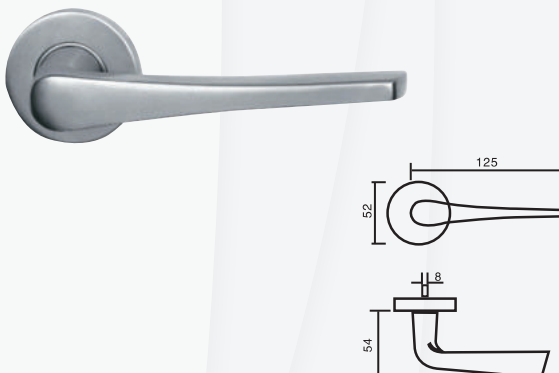
Material Stainless Steel
Finishes SSS



ETM15040

HOLLOW STAINLESS STEEL LEVER ON ROSETTE

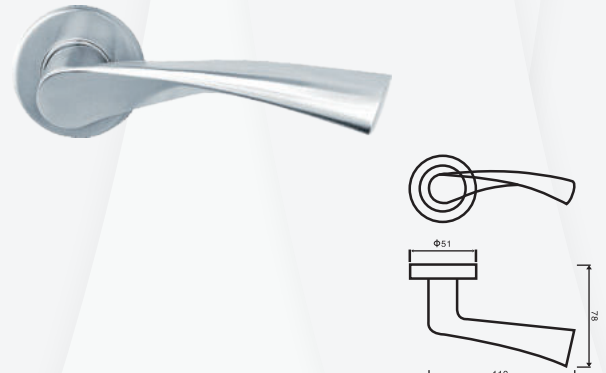
Material Stainless Steel
Finishes SSS



ETM156028

HOLLOW STAINLESS STEEL LEVER ON ROSETTE

Material Stainless Steel
Finishes SSS

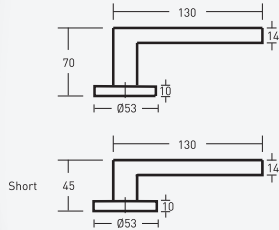


LEVER HANDLE 1500 SERIES

ETM152103

HOLLOW STAINLESS STEEL LEVER ON ROSETTE

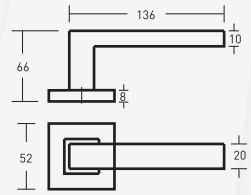
Material Stainless Steel
Finishes SSS



ETM158330

HOLLOW STAINLESS STEEL LEVER ON ROSETTE

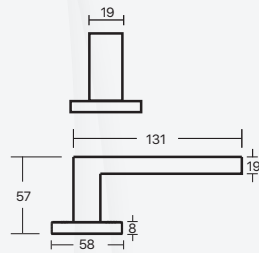
Material Stainless Steel
Finishes SSS



ETM159330

HOLLOW STAINLESS STEEL LEVER ON ROSETTE

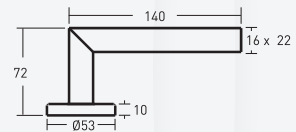
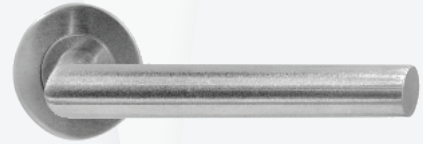
Material Stainless Steel
Finishes SSS



ETM156319

HOLLOW STAINLESS STEEL LEVER ON ROSETTE

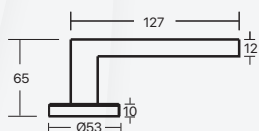
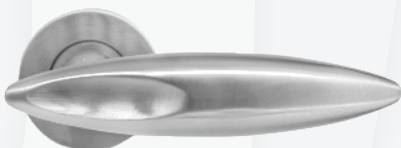
Material Stainless Steel
Finishes SSS



ETM156038

HOLLOW STAINLESS STEEL LEVER ON ROSETTE

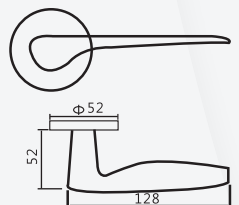
Material Stainless Steel
Finishes SSS



ETM15035

HOLLOW STAINLESS STEEL LEVER ON ROSETTE

Material Stainless Steel
Finishes SSS



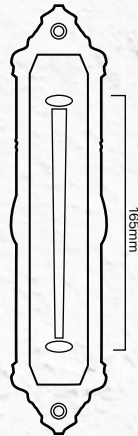
Brass Handle

CLASSICO SERIES SOLID BRASS HANDLE WITH PVD & 24K GOLD PLATED COATING

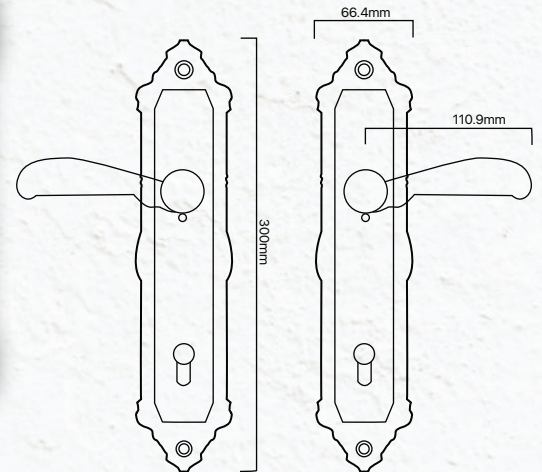
FOR AN CLASSICO SERIES

The selection of handle "series classica" Estremo born from the search of different styles representing various historical periods. The handles are sometimes identifies in a specific historical style, and sometimes are based on unusual forms, but they're all shaped for enjoyment beyond time.

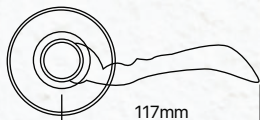
*Nekla Series
BG830*



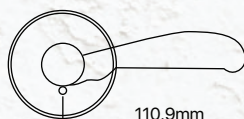
*Nekla Series
BA830*



*Vienna Series
BF600*



*Vienna Series
BF830*



The goal of the designers is to offer an item that may take shape first in the mind, arousing emotion that can give new features to the desired products. The handles of estremo furnished luxury residences, hotels, mansions, and royal places in every corner of the world.

Stainless Steel Lever Handle

Inox
Durable Stainless Steel
GRADE SUS304

**Raw
Cool
Stainless**
Introducing the first stainless steel lockset

BENEFITS OF STAINLESS STEEL

1. Corrosion resistance : Excellent corrosion resistance in high humidity.
2. Fire and heat resistance: The steel contented special high chromium and nickel-alloyed grades which resist scaling and retain strength at high temperatures up to 925 °C.
3. Tougher than brass: The heavy-duty raw material provides high scratch resistance and allow non-fading surface color.
4. 100% Recyclable: Environmental friendly.

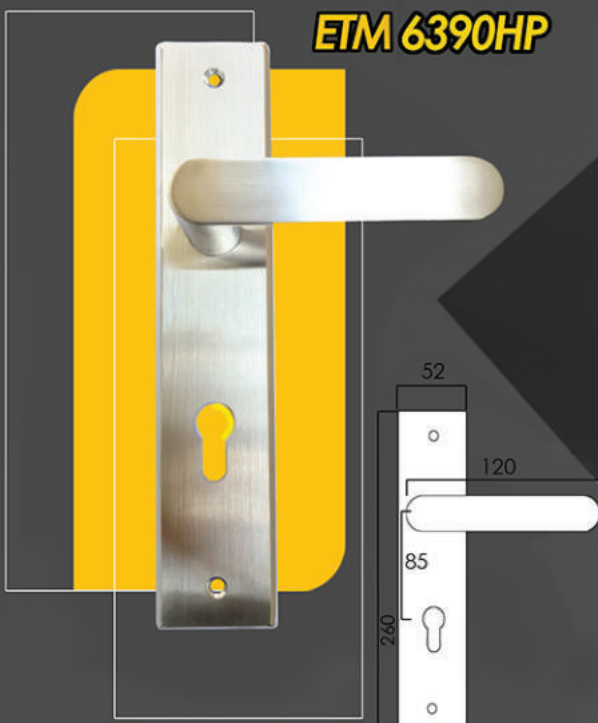
ETM 7330HP



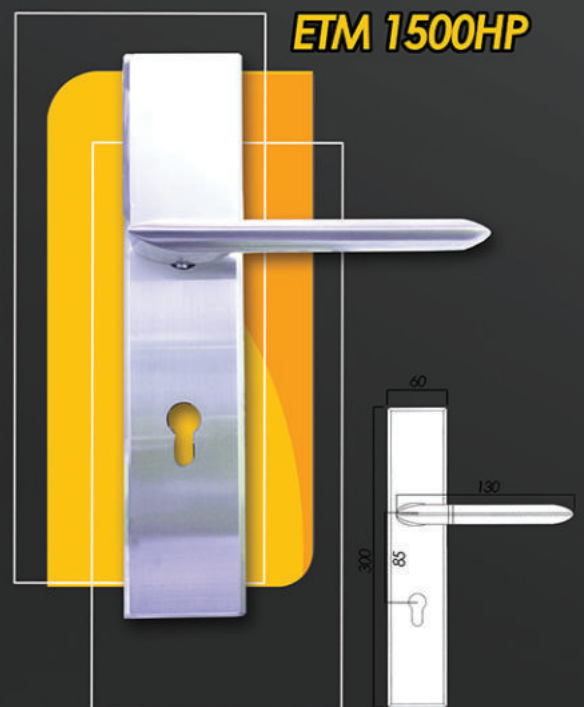
ETM 6316HP



ETM 6390HP



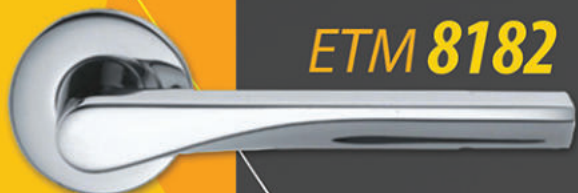
ETM 1500HP



Solid Stainless Steel Lever Handle



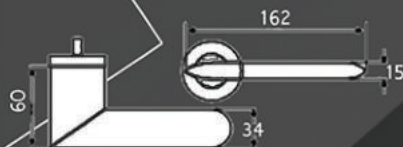
ETM8184



ETM8182



ETM1500RC



ETM8125



ETM8030



ETM8180



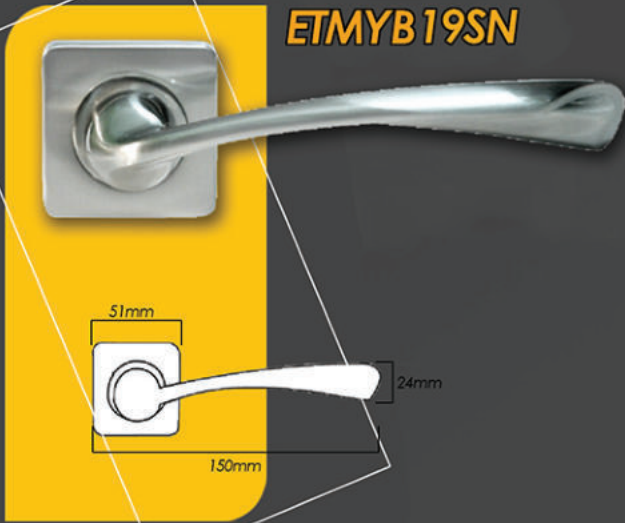
Inox
Durable Stainless Steel
GRADE SUS304
Raw
Cool
Stainless
Introducing the first stainless steel lockset

BENEFITS OF STAINLESS STEEL

1. Corrosion resistance: Excellent corrosion resistance in high humidity.
2. Fire and heat resistance: The steel contented special high chromium and nickel alloyed grades which resist scaling and retain strength at high temperatures up to 925 °C.
3. Tougher than brass: The heavy-duty raw material provides high scratch resistance and allow non-fading surface color.
4. 100% Recyclable: Environmental friendly.

Zamac & Solid Brass Lever Handle

ETMYB 19SN



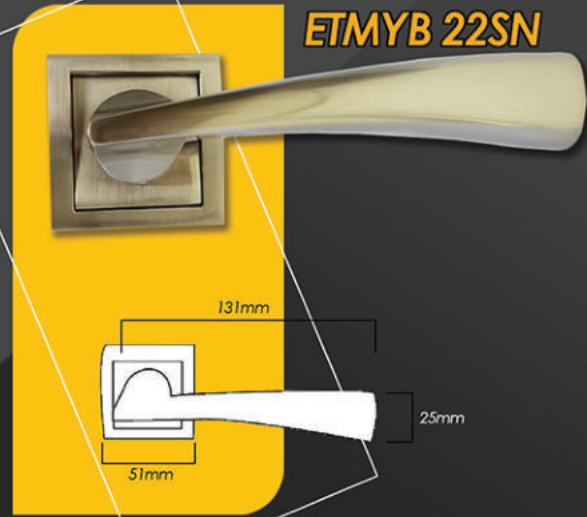
ETM BA90AB



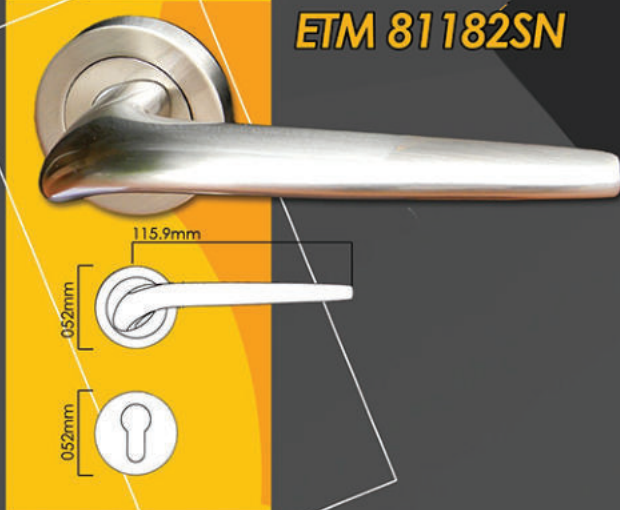
ETM 81163SN



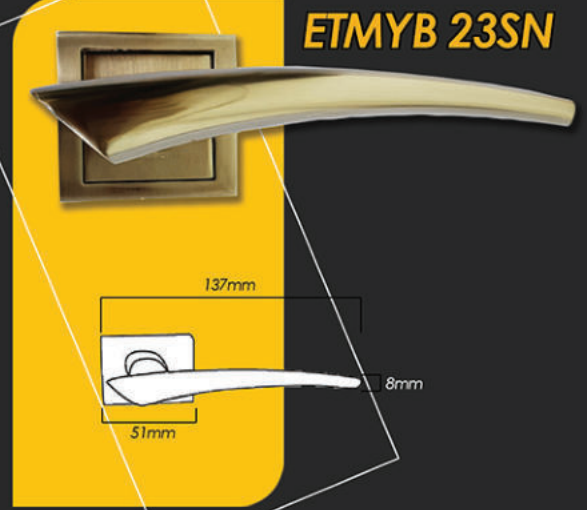
ETMYB 22SN



ETM 81182SN



ETMYB 23SN



Door Pull



ETM-AC15
L : 500mm



ETM-AC20
L:250mm L:400mm



AC 075
L:900mm



ETM-Q058
W:50mm L:220mm



ETM-P84
D : 116mm



ETM-P80
D: 120mm



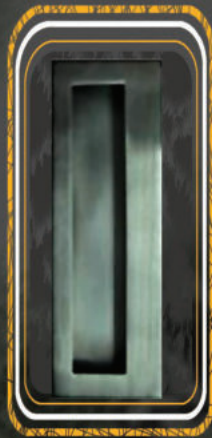
ETM-P92
D: 118mm



ETM-P64
D : 52mm



ETM-N 20B
D : 41mm



ETM-J 014 SN/AB
L:150mm W:50mm



ETM-J 30B AB/SN
L:108mm W:40mm



ETM-R55 AB/SN
D:50mm



ETM-MK
AB/SN