

TUBULAR LEVER 8600 SERIES

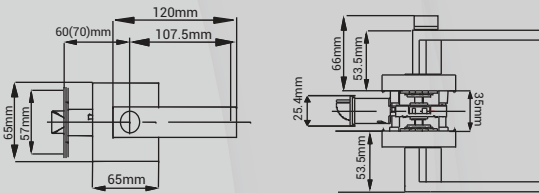
ETM 8600 SERIES TUBULAR LEVER SET

Estremo series Tubular Lever set is easy to install. Recommended as the economical choice for residential & commercial application on wooden or metal doors. This series offers various lever designs and finishes to meet most decor needs.

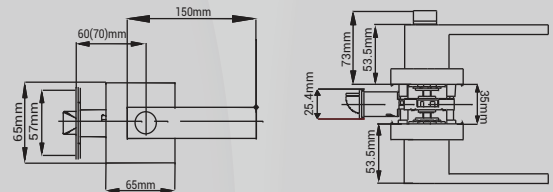
Material	Zinc Alloy / Aluminium Lever Zinc Alloy / Aluminium Rose Brass key with nickel plated	Finishes	SN - Satin Nickel MN - Matt Nickel MB - Matt Black AB - Antique Brass AC - Antique Copper
Testing Cycles	Tested up to 200,00 cycles		
Backset	60mm/70mm (Adjustable)		
Function	Entrance - ET Bathroom - BK Passage - PS		



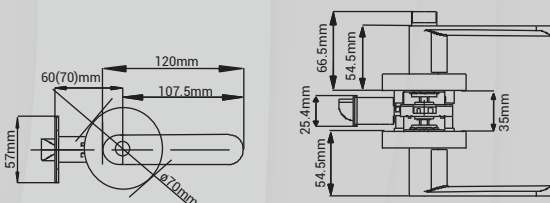
ETM8605



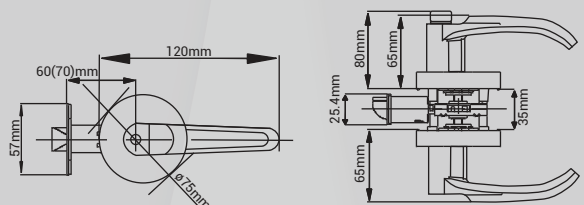
ETM8605B



ETM8606

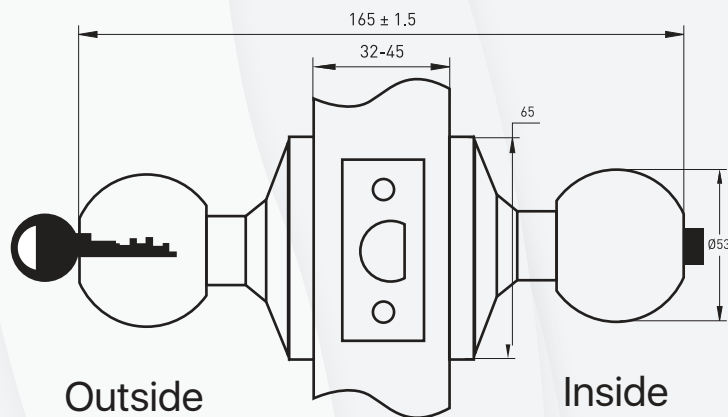


ETM8615



Cylindrical Lock

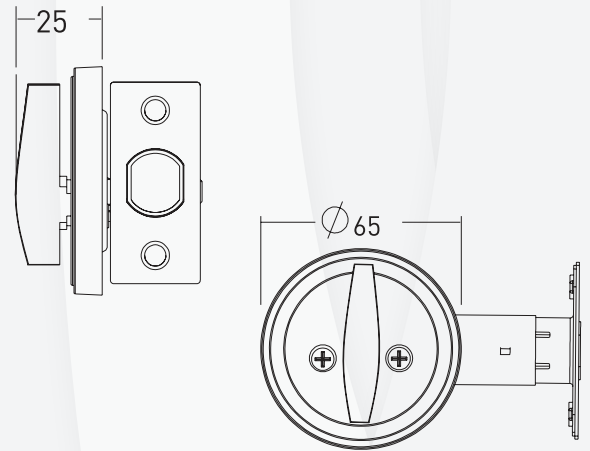
780 SERIES



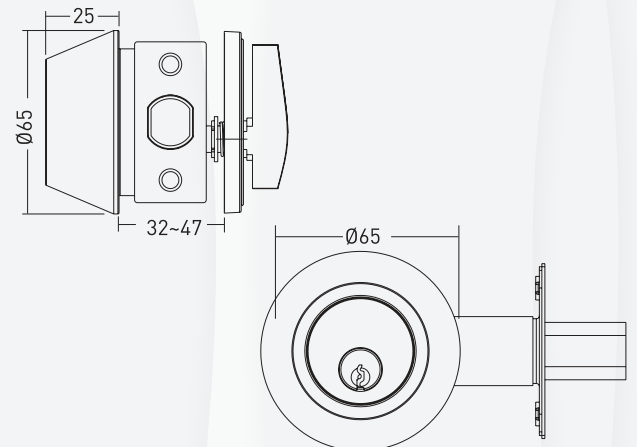
CODE	FUNCTION DESCRIPTION	MATERIAL	DOOR THICKNESS (mm)	BACKSET	FUNCTION	FINISHING
ETM781ET	ENTRANCE	SUS 304	32-45	60	ENTRANCE	SS.AB.AC
	Latch bolt by either knob is locked by button from inside knob. Key retracts latchbolt. Outside is unlocked by key outside or turning inside knob except when button is turned and depressed. Closing door does not release button.					
ETM780DC	DOUBLE CYLINDER	SUS 304	32-45	60	DOUBLE CYLINDER	SS.AB.AC
	Latchbolt by either knob. Both knobs are locked or unlocked by key of either knob. Guardbolt deadlocks latchbolt.					
ETM780CR	CLASSROOM	SUS 304	32-45	60	CLASSROOM	SS.AB.AC
	Latchbolt by either. Outside knob is locked or unlocked by key of outside knob. Inside knob is operative at all times. Guardbolt deadlock latchbolt.					
ETM782BK	PRIVACY	SUS 304	32-45	60	PRIVACY	SS.AB.AC
	Latchbolt by either knob unless outside knob is locked by button of inside knob. Outside knob is unlocked but turning inside knob, closing door or emergency button of outside knob					
ETM780CN	CONNECTING WITH KEY	SUS 304	32-45	60	DOUBLE KEY	SS.AB.AC
	Latchbolt by inside knob only, inside knob is locked by key. Guardbolt deadlocks latchbolt					
ETM780CM	COMMUNICATING WITHOUT KEY	ZINC ALLOY	32-45	60	CWK	SS.AB.AC
	Latchbolt by inside knob only, Guardbolt deadlocks latchbolt.					
ETM780ST	STORE ROOM	SUS 304	32-45	60	STOREROOM	SS.AB.AC
	Latchbolt by either knob. Outside knob is locked or unlocked by key of outside knob. Inside knob is operative at all times. Guardbolt deadlocks latchbolt.					
ETM780PS	PASSAGE	SUS 304	32-45	60	PASSAGE	SS.AB.AC
	Latchbolt by either knob at all times.					
ETM780PT	PATIO	SUS 304	32-45	60	PATIO	SS.AB.AC
	Latchbolt by either knob unless outside knob is locked by button of inside knob. Outside knob is unlocked by turning inside or closing door. Guardbolt deadlocks latchbolt.					

Deadbolt

ETM8103SS



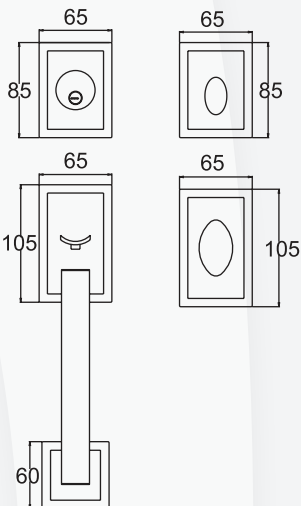
ETM8101SS



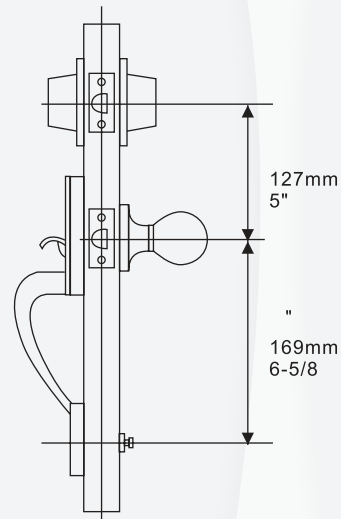
CODE	FUNCTION	MATERIAL	FINISHING	BACKSET	DOOR THICKNESS
ETM8101SS	Thumbturn & Key	SUS 304	SS.AB.AC	60-70mm	32-45mm
ETM8102SS	Double Key	SUS 304	SS.AB.AC	60-70mm	32-45mm
ETM8103SS	One - Sided	SUS 304	SS.AB.AC	60-70mm	32-45mm

GripSet

ETM80710SN



ETM80610SN



CODE	MATERIAL	FINISHING	BACKSET	DOOR THICKNESS
ETM80710SN	Zinc Die-Cast	SN.AB.AC	60-70mm	32-45mm
ETM80610SN	Zinc Die-Cast	SN.AB.AC	60-70mm	32-45mm

Estremo Entrance Handleset

ETM11A04SN



ETM12A04SN

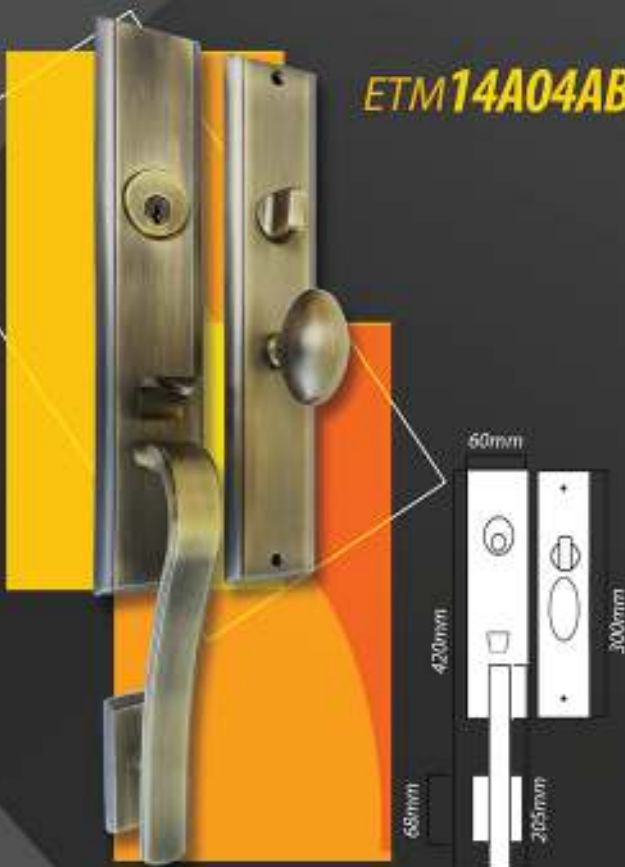


estremo series Entrance Handleset is Zinc Alloy with stylish design. The stainless steel mortise lockcase provides the highest level of key operated security and represent the industry standard of quality. When you have installed the estremo series on your front door, you will know home is secured and protected.

ETM13A04SN



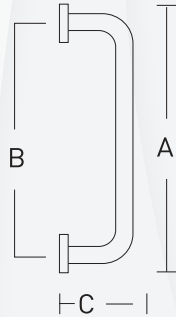
ETM14A04AB



It is ideal for door with Thickness of 38mm - 55mm (also available on application to suit doors 40mm - 75mm thick)

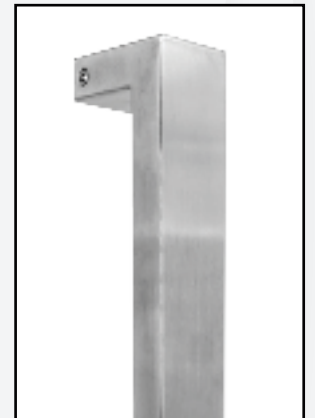
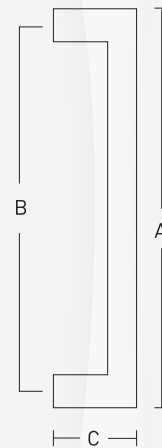
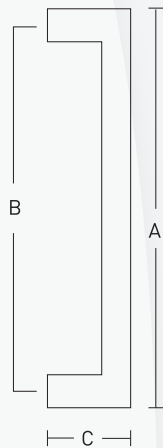
- more than 800,000 times lifecycle tested
- Zinc Alloy entrance handlesets
- New Elegant Style or Classic Handlesets design

SUS304 Stainless Steel Pull Handle



CODE	FINISHING	MATERIAL	SIZE (mm)	A (mm)	B (mm)	C (mm)
ETM113	SS	SUS 304 Stainless Steel	19	6"	153	70
		SUS 304 Stainless Steel	19	8"	203	70
		SUS 304 Stainless Steel	19	10"	255	70
		SUS 304 Stainless Steel	19	12"	305	70
		SUS 304 Stainless Steel	19	12"	305	70

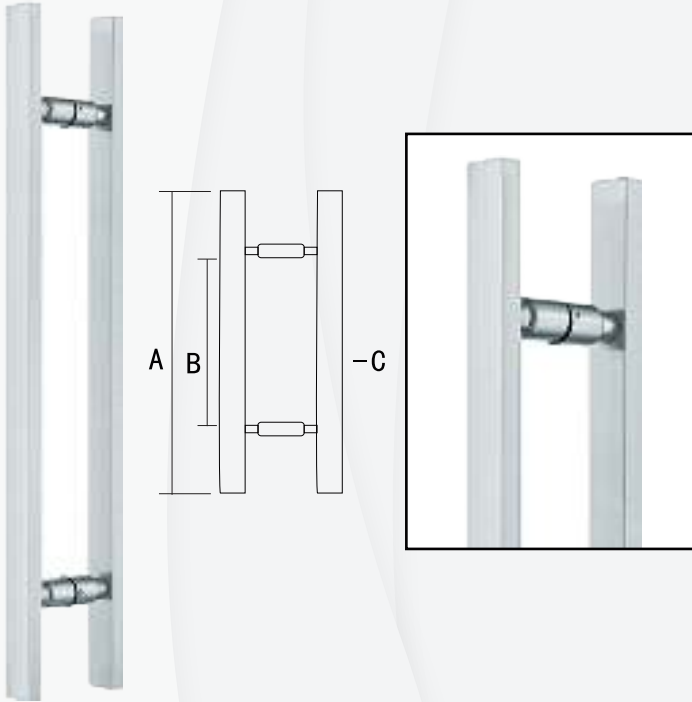
CODE	FINISHING	MATERIAL	SIZE (mm)	A (mm)	B (mm)	C (mm)
ETM112	Satin SS / Matt Black	SUS 304 Stainless Steel	38	300	150	80
	Satin SS / Matt Black	SUS 304 Stainless Steel	38	600	400	80
	Satin SS / Matt Black	SUS 304 Stainless Steel	38	900	600	80
	Satin SS / Matt Black	SUS 304 Stainless Steel	38	1200	900	80
	Satin SS / Matt Black	SUS 304 Stainless Steel	38	1800	1200	80
	Satin SS / Matt Black	SUS 304 Stainless Steel	38	1800	1200	80
	Satin SS / Matt Black	SUS 304 Stainless Steel	38	2100	1800	80



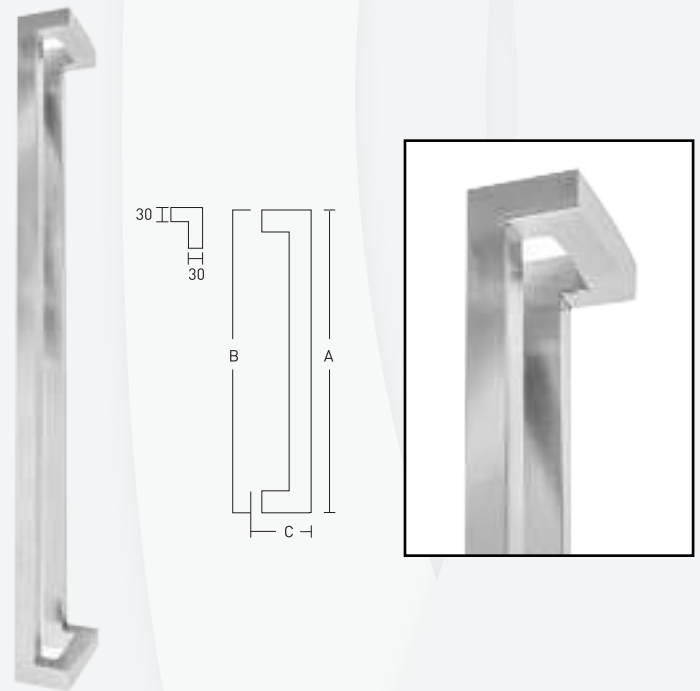
CODE	FINISHING	MATERIAL	SIZE (mm)	A (mm)	B (mm)	C (mm)
ETM145	Satin SS / Matt Black	SUS 304 Stainless Steel	25 x 38	300	260	80
	Satin SS / Matt Black	SUS 304 Stainless Steel	25 x 38	600	560	80
	Satin SS / Matt Black	SUS 304 Stainless Steel	25 x 38	900	860	80
	Satin SS / Matt Black	SUS 304 Stainless Steel	25 x 38	1200	1160	80
	Satin SS / Matt Black	SUS 304 Stainless Steel	25 x 38	1500	1460	80
	Satin SS / Matt Black	SUS 304 Stainless Steel	25 x 38	1800	1760	80
	Satin SS / Matt Black	SUS 304 Stainless Steel	25 x 38	1800	1760	80

CODE	FINISHING	MATERIAL	SIZE (mm)	A (mm)	B (mm)	C (mm)
ETM146	Satin SS / Matt Black	SUS 304 Stainless Steel	25 x 38	300	260	80
	Satin SS / Matt Black	SUS 304 Stainless Steel	25 x 38	600	560	80
	Satin SS / Matt Black	SUS 304 Stainless Steel	25 x 38	900	860	80
	Satin SS / Matt Black	SUS 304 Stainless Steel	25 x 38	1200	1160	80
	Satin SS / Matt Black	SUS 304 Stainless Steel	25 x 38	1500	1460	80
	Satin SS / Matt Black	SUS 304 Stainless Steel	25 x 38	1800	1760	80
	Satin SS / Matt Black	SUS 304 Stainless Steel	25 x 38	1800	1760	80

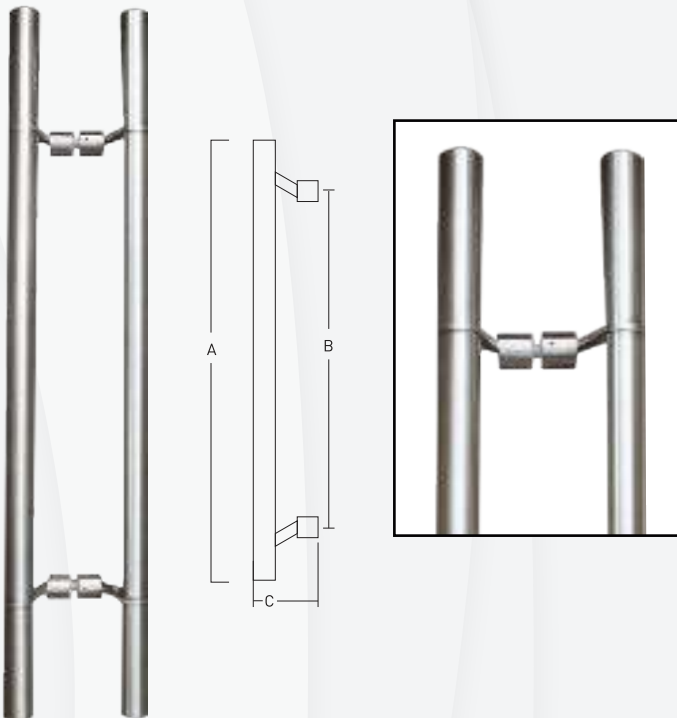
SUS304 Stainless Steel Pull Handle



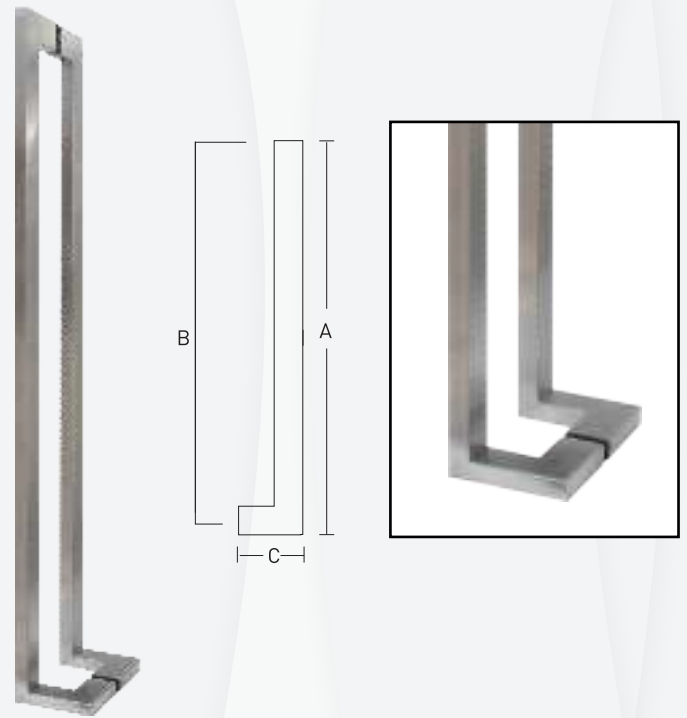
CODE	FINISHING	MATERIAL	SIZE (mm)	A (mm)	B (mm)	C (mm)
ETM140	Satin SS / Matt Black	SUS 304 Stainless Steel	25 x 38	600	400	40
	Satin SS / Matt Black	SUS 304 Stainless Steel	25 x 38	900	600	40
	Satin SS / Matt Black	SUS 304 Stainless Steel	25 x 38	1200	800	40
	Satin SS / Matt Black	SUS 304 Stainless Steel	25 x 38	1500	1100	40
	Satin SS / Matt Black	SUS 304 Stainless Steel	25 x 38	1800	1400	40



CODE	FINISHING	MATERIAL	SIZE (mm)	A (mm)	B (mm)	C (mm)
ETM1460S	Satin SS / Matt Black	SUS 304 Stainless Steel	25 x 38	900	870	70
	Satin SS / Matt Black	SUS 304 Stainless Steel	25 x 38	1200	1170	70
	Satin SS / Matt Black	SUS 304 Stainless Steel	25 x 38	1500	1470	70
	Satin SS / Matt Black	SUS 304 Stainless Steel	25 x 38	1800	1765	70
	Satin SS / Matt Black	SUS 304 Stainless Steel	25 x 38	1800	1765	70

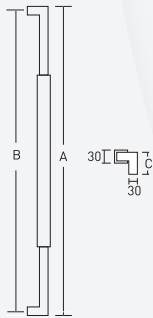


CODE	FINISHING	MATERIAL	SIZE (mm)	A (mm)	B (mm)	C (mm)
ETM1450S	Satin SS / Matt Black	SUS 304 Stainless Steel	25 x 38	900	862	100
	Satin SS / Matt Black	SUS 304 Stainless Steel	25 x 38	1200	1162	100
	Satin SS / Matt Black	SUS 304 Stainless Steel	25 x 38	1500	1462	100
	Satin SS / Matt Black	SUS 304 Stainless Steel	25 x 38	1800	1762	100



CODE	FINISHING	MATERIAL	SIZE (mm)	A (mm)	B (mm)	C (mm)
ETM1460S	Satin SS / Matt Black	SUS 304 Stainless Steel	25 x 38	900	870	70
	Satin SS / Matt Black	SUS 304 Stainless Steel	25 x 38	1200	1170	70
	Satin SS / Matt Black	SUS 304 Stainless Steel	25 x 38	1500	1470	70
	Satin SS / Matt Black	SUS 304 Stainless Steel	25 x 38	1800	1765	70

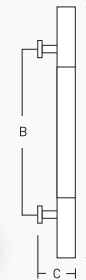
Pull Handle



ETM284OS



ETM1195OS



ETM1195



ETM284

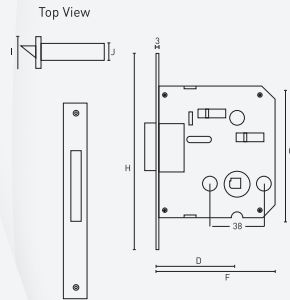
CODE	FINISHING	MATERIAL	SIZE (MM)	SIZE (A)	SIZE (B)	SIZE (C)
ETM284OS	SS/WALNUT	SUS304 STAINLESS STEEL + WOOD	30 x 30	600	570	73
	SS/WALNUT	SUS304 STAINLESS STEEL + WOOD	30 x 30	900	874	73
	SS/WALNUT	SUS304 STAINLESS STEEL + WOOD	30 x 30	1200	1170	73
ETM1195OS	SS/WALNUT	SUS304 STAINLESS STEEL + WOOD	38	900	675	75
	SS/WALNUT	SUS304 STAINLESS STEEL + WOOD	38	1200	850	75
ETM1195	SS/WALNUT	SUS304 STAINLESS STEEL + WOOD	38	600	400	80
	SS/WALNUT	SUS304 STAINLESS STEEL + WOOD	38	900	600	80
	SS/WALNUT	SUS304 STAINLESS STEEL + WOOD	38	1200	950	80
ETM284	SS/WALNUT	STAINLESS STEEL + WOOD	25 x 38	600	565	85
	SS/WALNUT	STAINLESS STEEL + WOOD	25 x 38	900	865	85

Mortise

ETM513P






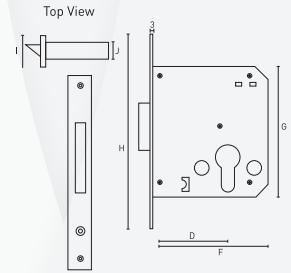
-  SOLID SS
SUS 304 LATCH
-  GALVANIZE STEEL CASE
-  SUS 304 STRIKER PLATE
& FOREND PLATE



ETM513






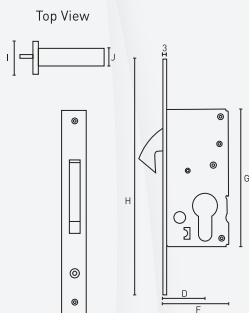
-  SOLID SS
SUS 304 BOLT
-  GALVANIZE STEEL CASE
-  SUS 304 STRIKER PLATE
& FOREND PLATE



ETM514



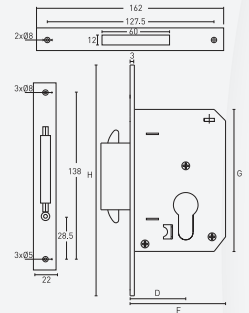
-  SOLID SS
SUS 304 HOOK
-  GALVANIZE STEEL CASE
-  SUS 304 STRIKER PLATE
& FOREND PLATE



ETM514H



-  SUS 304 LATCH
-  GALVANIZE STEEL CASE
-  SUS 304 STRIKER PLATE
& FOREND PLATE



CODE	FUNCTION	MATERIAL	D (mm)	E (mm)	F (mm)	G (mm)	H (mm)	I (mm)	J (mm)
ETM51355PSS	PASSAGE LOCK	STAINLESS STEEL	55	0	85	75	138	23	15
ETM51360PSS	PASSAGE LOCK	STAINLESS STEEL	60	0	85	75	138	23	15
LATCH OPERATED BY INTERNAL AND EXTERNAL LEVER									
ETM51350SS	DEADLOCK	STAINLESS STEEL	50	0	76	110	138	23	15
ETM51360SS	DEADLOCK	STAINLESS STEEL	60	0	85	110	138	23	15
ETM51430SS	HOOK LOCK	STAINLESS STEEL	30	0	48	100	168	23	13
WITH HOOK DEADBOLT									
ETM51450SS	HOOK LOCK	STAINLESS STEEL	50	0	68	100	168	23	13
WITH HOOK DEADBOLT									
ETM51460SS	HOOK LOCK	STAINLESS STEEL	60	0	77	100	168	23	13
WITH HOOK DEADBOLT									
ETM514H40SS	SLIDING HOOK LOCK	STAINLESS STEEL	40	0	68	100	165	23	15
FOR SLIDING DOOR AND DOUBLE HOOK LOCKING									

Mortise Lock

ETM2800 SERIES



SOLID SS
SUS 304 LATCH

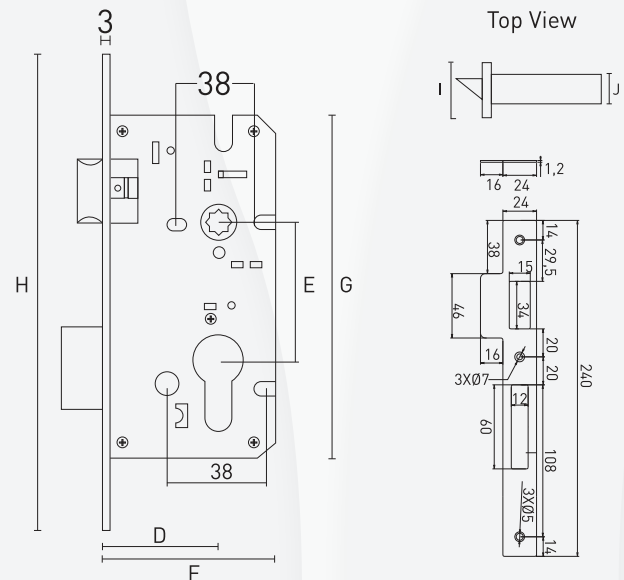


SOLID SS
SUS 304 BOLT



SUS 304 STRIKER PLATE
& FOREND PLATE

- With latch bolt and deadbolt
- Latch is operated lever and cylinder
- Deadbolt is operated by cylinder

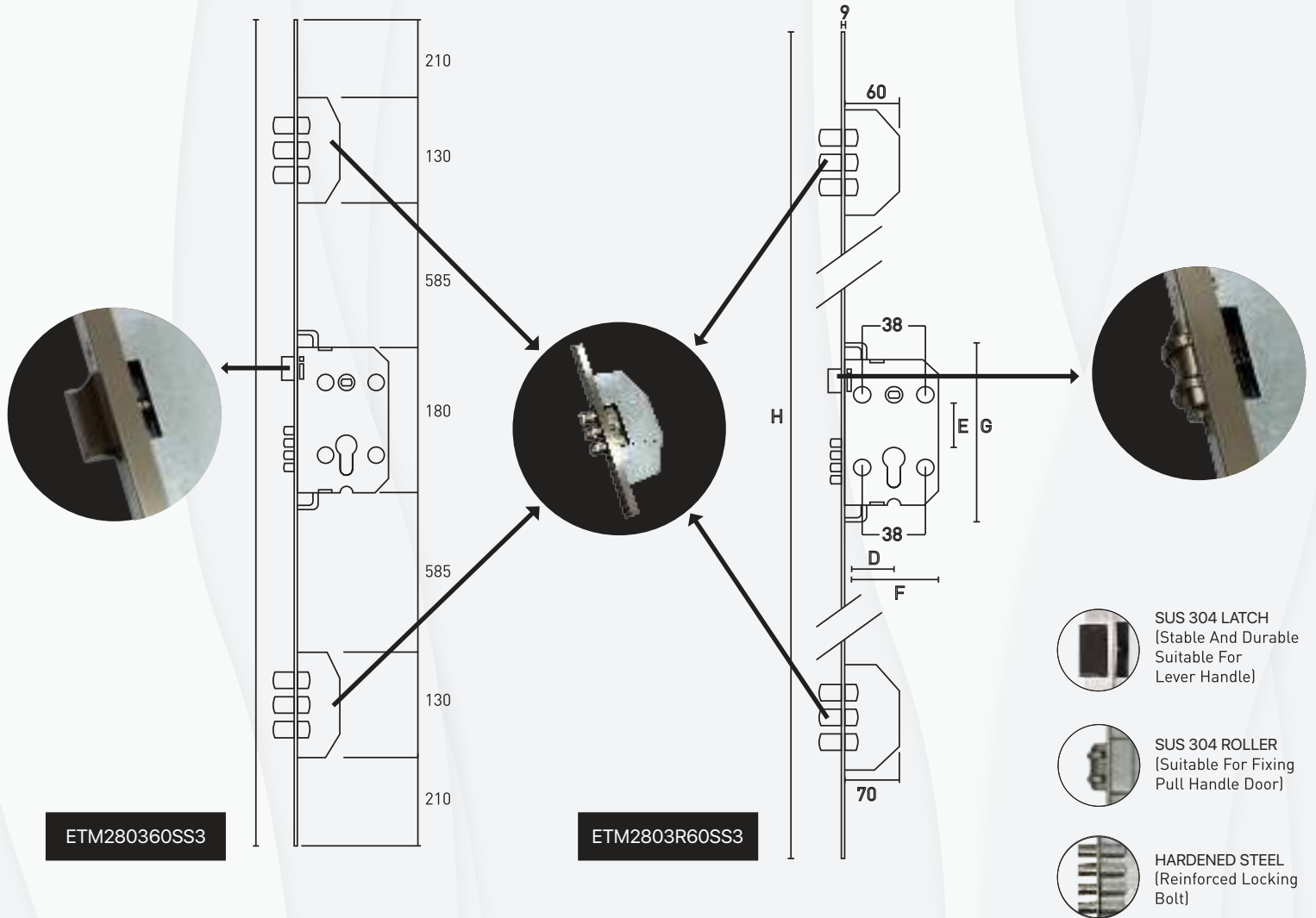


SIRIM

CODE	FUNCTION	MATERIAL	D (mm)	E (mm)	F (mm)	G (mm)	H (mm)	I (mm)	J (mm)
ETM280325SS	SASH LOCK	STAINLESS STEEL	25	85	43	172	240	23	15
ETM280330SS	SASH LOCK	STAINLESS STEEL	30	85	47	172	240	23	15
ETM280340SS	SASH LOCK	STAINLESS STEEL	40	85	68	172	240	23	15
ETM280360SS	SASH LOCK	STAINLESS STEEL	60	85	86	172	240	23	15
ETM280370SS	SASH LOCK	STAINLESS STEEL	70	85	96	172	240	23	15
ETM2803606072SS	SASH LOCK	STAINLESS STEEL	60	72	90	165	240	23	15
ETM280355572SS	SASH LOCK	STAINLESS STEEL	55	72	82	165	240	23	15
ETM280360AP	ANTI PANIC	SUS304	60	85	90	172	240	23	15
WITH LATCH BOLT AND DEADBOLT FOR EMERGENCY ESCAPE FUNCTION									
ETM280360CL	CLASSROOM	SUS304	60	85	90	172	240	23	15
WITH LATCH BOLT ONLY INSIDE LEVER ALWAYS UNLOCKED FOR EMERGENCY EXIT									
ETM280360ST	STOREROOM	SUS304	60	85	90	172	240	23	15
ENTRANCE BY KEY ONLY INSIDE LEVER ALWAYS UNLOCKED FOR EMERGENCY EXIT									
ETM280360PS	PASSAGE	SUS304	60	85	90	172	240	23	15
WITH ONLY LATCH BOLT, NO CYLINDER NEEDED LATCH IS OPERATED BY INTERNAL AND EXTERNAL LEVER									

Multipoint Lock

Estremo stainless steel multipoint locking system delivers huge levels of security, whilst not compromising operation or compression



CODE	FUNCTION	MATERIAL	D (mm)	E (mm)	F (mm)	G (mm)	H (mm)	I (mm)	J (mm)
ETM280360SS3	Multipoint Sash Lock	Stainless Steel	60	85	87	210	2030	24	15
	Multipoint Locking and Safety System								
ETM2803R60SS3	Multipoint Roller	Stainless Steel	60	85	87	210	2030	24	15
	With Roller and 4 Deadbolt / Left or Right Striker Plate								

Features

- 3 Reinforced Locking Point
- SUS 304 Stainless Steel Forend
- Roller or Latching Function
- Strike Plate Manufactured in 4mm Tempered Steel
- Distance between each Axis : 85mm
- 60mm Backset
- Main Lock with reinforced Mechanism
- Follower and Latchbolt can be manufactured in Stainless Steel

European Profile Cylinder (ETM213 SERIES)

Thumbturn & Key

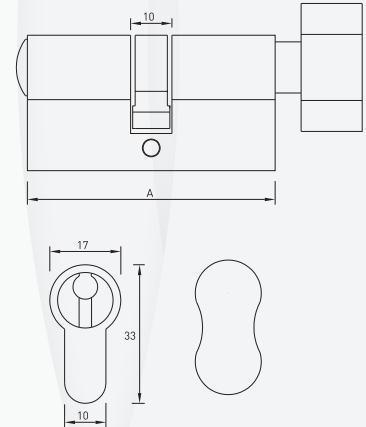



ETM21345SN

ETM213P60SN

ETM21380SN

ETM21370MB



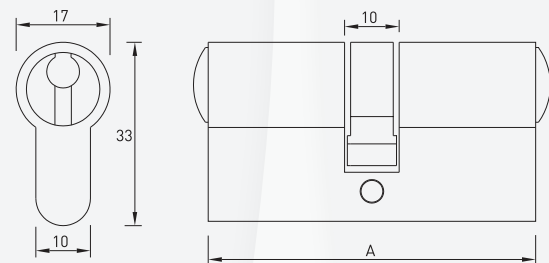
CODE	SIZE (MM)	MATERIAL	FINISHING
ETM21360	60	Solid Brass	SN/AB/MB
ETM21370	70	Solid Brass	SN/AB/MB
ETM21380	80	Solid Brass	SN/AB/MB
ETM213100	100	Solid Brass	SN/AB/MB
ETM213P60	60	Solid Brass	SN/AB/MB
ETM213P70	70	Solid Brass	SN/AB/MB
ETM21345	45	Solid Brass	SN/AB/MB
ETM213S70SN10P  (10 pins Cylinder)	70	Solid Brass	SN/AB/MB

Double Cylinder



ETM210S45SN

ETM21060SN



CODE	SIZE (MM)	MATERIAL	FINISHING
ETM21060	60	Solid Brass	SN/AB/MB
ETM21070	70	Solid Brass	SN/AB/MB
ETM210S45	45	Solid Brass	SN/AB/MB

High Security

1. How snake groove Named

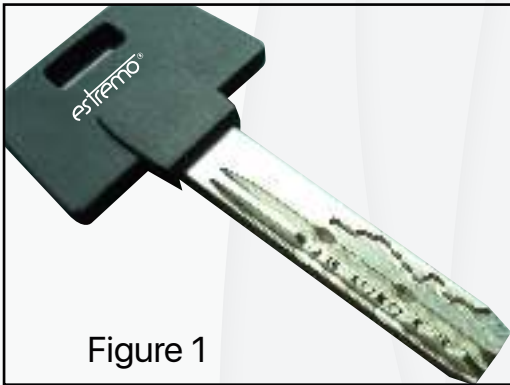


Figure 1

Figure 1. Snake Groove Key (Physical Look)

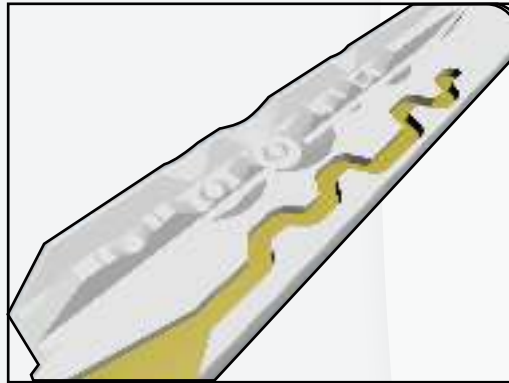
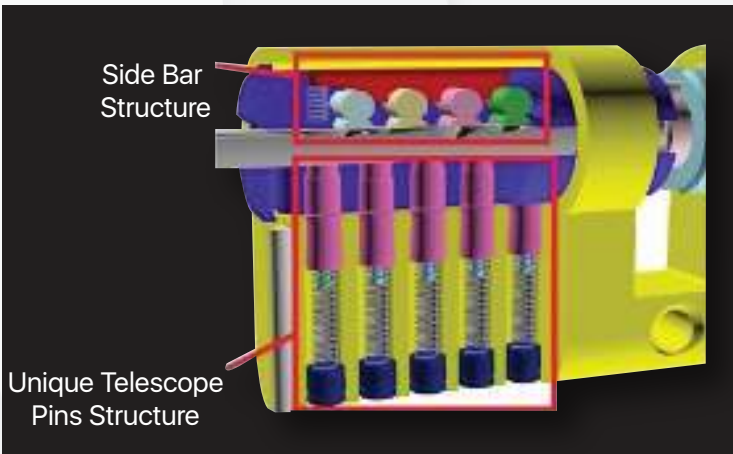


Figure 2. Snake Groove Key (3D Drawing)

Area of use

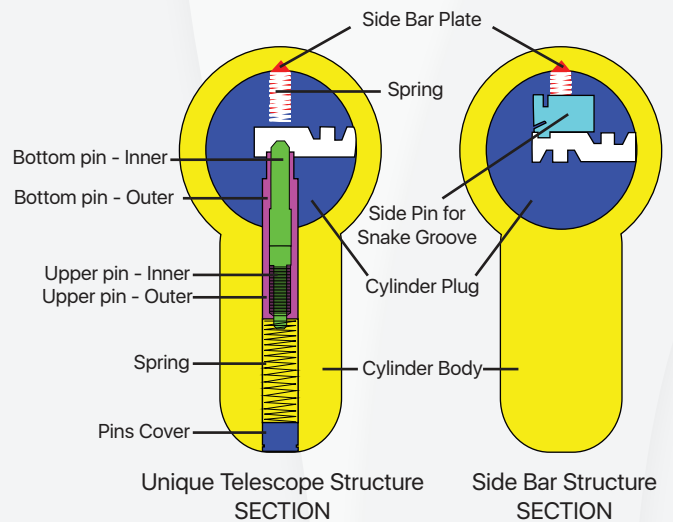
- Public buildings
- Medium to large business
- Apartment houses
- Residential complexes

2. Technical Principal



Unique Telescope Pins Structure

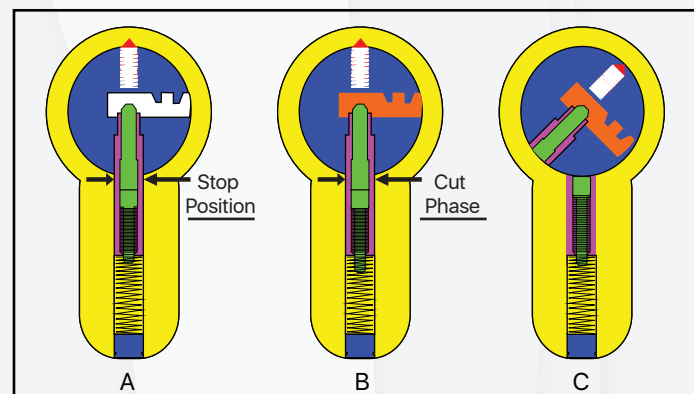
Fig.3 Sectional for S2 Cylinder



Unique Telescope Structure SECTION

Side Bar Structure SECTION

(1) Principles of Anti-Theft Unique Telescope Pin Technology



Stop Position

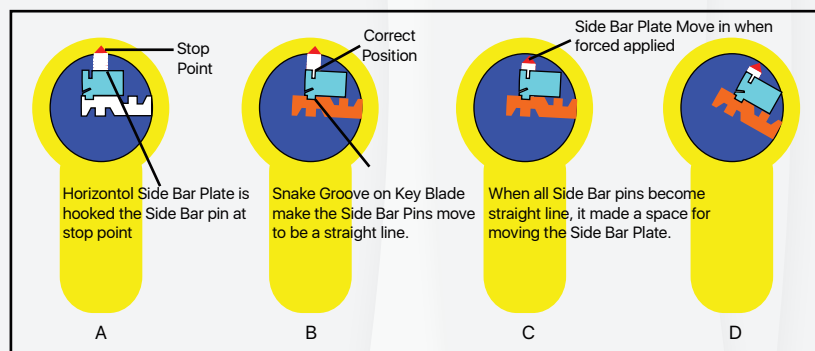
Cut Phase

A

B

C

(2) Principles of Anti-Theft for Snake Groove Technology



Stop Point

Correct Position

Side Bar Plate Move in when forced applied

Horizontal Side Bar Plate is hooked the Side Bar pin at stop point

Snake Groove on Key Blade make the Side Bar Pins move to be a straight line.

When all Side Bar pins become straight line, it made a space for moving the Side Bar Plate.

A

B

C

D

Technical Specifications

- 12 pin profile cylinder
- Telescopic pins technology
- Horizontal movement side pins technology
- Anti snapping & drilling pin
- Single differ and keyed alike with 3 brass nickel plated keys
- Lock security class according to DIN EN 1303 04/2005: 6
- Drill resistant according to DIN EN 1303 04/2005: 2

Description

The estremo Sigma system (Snake Groove) is the brand-name lock system for clients who value high security while paying attention to costs. A special high-low milling technique in the horizontal profile provides additional security for the profile control and is extremely hard to copy. Whether a new building or renovation - property and corporate secrets must be well protected. The number of doors can add up in apartment houses, residential complexes and other building complexes. Designed as a modern locking system, estremo Sigma provides the convenience to be expected from a state-of-the-art locking system. You need the security, we provide the right solution. Secure, fast and reliable.

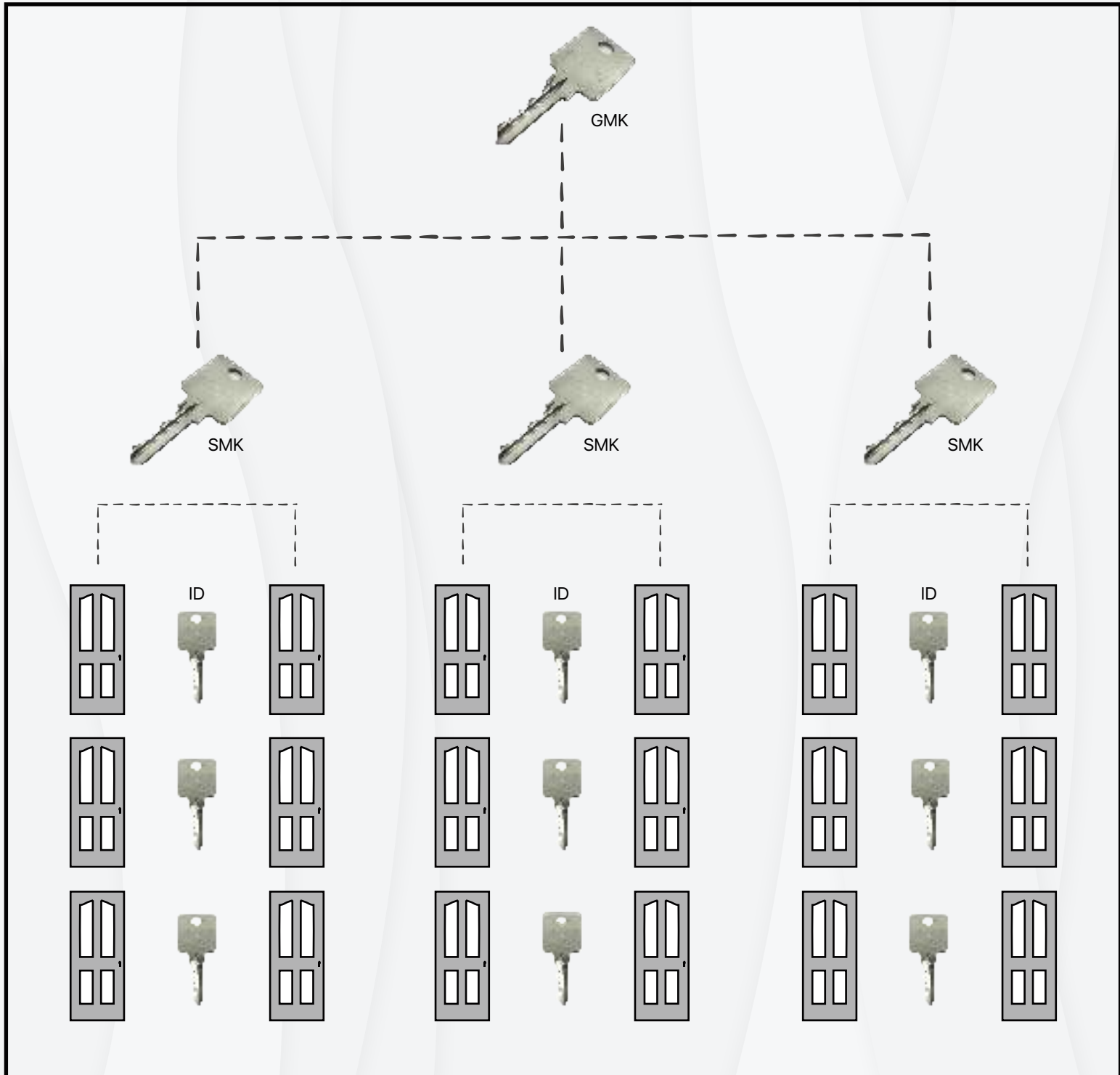


MASTER KEY SYSTEM

General Master Key System

These system can be considered for premises such as administration and industrial buildings, hotels, hospitals, airports, universities, etc.

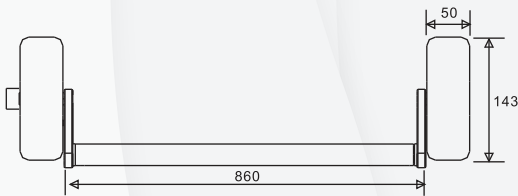
A general master key system is divided into separate main groups, groups and sub-groups, with corresponding central and individual locking to comply with an organization scheme prepared for a specific range of application (locking concept). The object of the system is to define the areas of responsibility clearly and unambiguously.



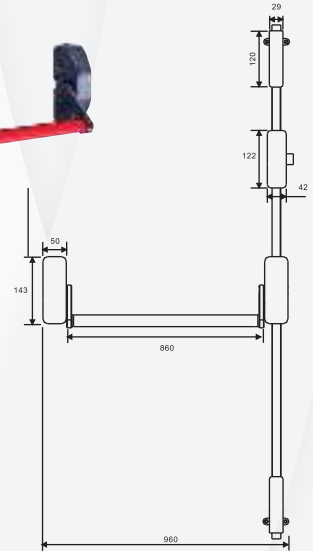
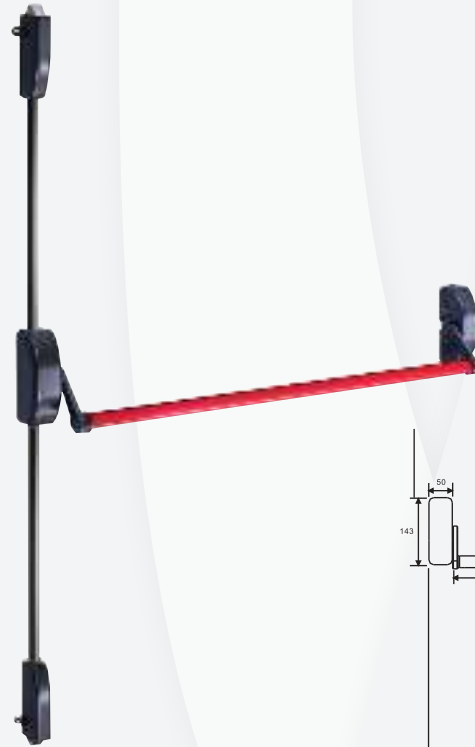
GMK - Grand master Key
SMK - Sub MasterKey
ID - Individual Key

Panic Bar

ETMCMP500SLBR



ETMCMP500DLBR



CODE	MATERIAL	FINISHING
ETMCMP500SLBR	Steel - Power Coat	Red & Black
ETMCMP500DLBR	Steel - Power Coat	Red & Black

CMP500 series

1. CE mark, fire rated
2. EN1125 and EN1634 certificated
3. None handed
4. Pullman latch and lateral latch design
6. Modular design, more than 4 point locks are available
7. Material : stainless steel or steel painting
8. Difference finish is available

Category of use	Durability	Door Mass	Suitability for use on fire/smoke doors	Safety	Corrison Resistance	Security	Project of Horizontal bar	Type of horizontal bar operation	Filed of Door application
3	7	6	B	1	4	2	2	A	A

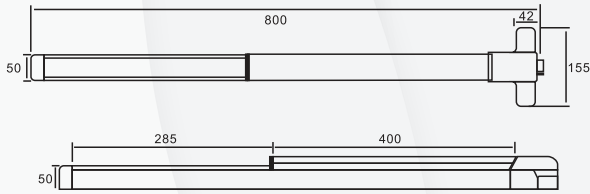
Feature	ETMCMP500SLBR	ETMCMP500DLBR
Lock point	1	2
Touch bar	1000mm Lenght	
Door style	Single and double door	
Max. Door weight	200kg	
Security Anti-thrust latch	-	-
Door Height*	2133mm (Optional 2432mm)	
Door thickness*	50mm	
Non-handed Design	●	●
Trim optional	○	○
Approved to EN1125	●	●

● = Yes ; - = No ; ○ = Option

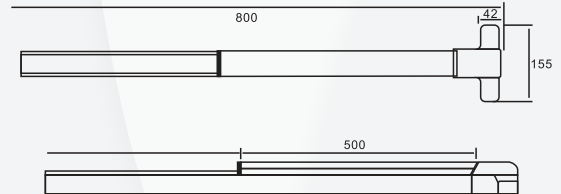
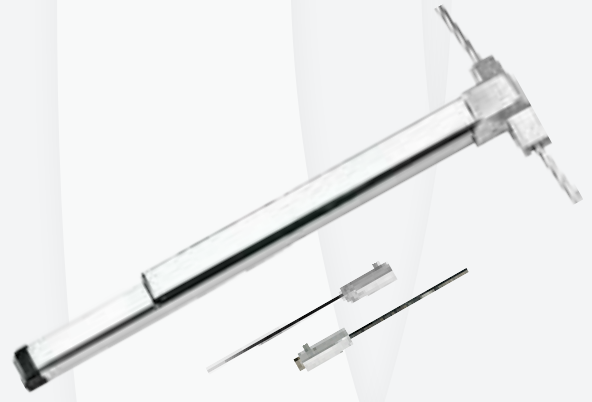
*Note : if the door width, door height and floor thickness is outside of the specification, the order should mark the special requirement

Panic Bar

ETMCMP600SSS



ETMCMP600SSDB



CODE	MATERIAL	FINISHING
ETMCMP600SSS	Stainless Steel SUS304	SS
ETMCMP600SSDB	Stainless Steel SUS304	SS

CMP600 series

1. CE mark, fire rated
2. EN1125 and EN1634 certificated
3. Non handed
4. Material : Stainless steel or steel painting
5. Difference finish is available

Category of use	Durability	Door Mass	Suitability for use on fire/smoke doors	Safety	Corrison Resistance	Security	Project of Horizontal bar	Type of horizontal bar operation	Filed of Door application
3	7	6	B	1	4	2	2	B	A

Feature	ETMCMP600SSS	ETMCMP600SSDB
Lock point	1	2
Touch bar	Full lenght of device, 800m	
Door style	Single and double door	
Max. Door weight	200kg	
Security Anti-thrust latch	●	-
Door Height*	2133mm	
Door thickness*	50mm	
Non-handed Design	●	●
Trim optional	○	○
Approved to EN1125	●	●

● = Yes ; - = No ; ○ = Option

*Note : if the door width, door height and floor thickness is outside of the specification, the order should mark the special requirement